

# PTF-22-PDC

Programmable piezo switch 22mm, sanitary



The PTF-22-PDC is a programmable piezo-electric switch for use in sanitary applications like faucets, showers, urinals and flush valves. The low power design allows operation by battery or mains supply from 6V to 24V. This switch is capable of operating latching and non-latching solenoid valves.

The PTF-22-PDC is fully programmable via a computer connection with a range of functions for sanitary products, including faucets, showers, urinals and toilets.

Unique is the ability to adjust the touch sensitivity from 0.25N upwards and to operate behind a thicker metal surface of up to 3mm.

## Key Characteristics

- ✓ Standalone operation
- ✓ Activates with gloves and wet hands
- ✓ Low power for battery operation
- ✓ Washdown-proof up to 100 bar
- ✓ Programmable via USB
- ✓ Rated at 50 million activations
- ✓ Fully waterproof (IP69K)
- ✓ No build-up of dirt or germs

## Programming Functions

- Flow time (optional Start-Stop)
- Hygiene flush (forced flush 24h/48h/72h after last use)
- Lock out time (product locks between uses for certain time)
- Security time (auto shut off after certain time)
- Touch sensitivity (0.25N upwards)
- Selector for latching or non-latching solenoid valve
- Customized functions optional

# PTF-22-PDC

Programmable piezo switch 22mm, sanitary

## Electrical Data

---

<b>Switch Function</b>	Latching or non-latching solenoid valve
<b>Switch Voltage</b>	6-24V DC
<b>Switch Current</b>	1A
<b>Operating Cycles</b>	> 50,000,000
<b>Switch Resistance OFF</b>	> 20M Ohm
<b>Switch Resistance ON</b>	< 1.5 Ohm
<b>Switch Capacitance</b>	10 pF
<b>Current consumption</b>	Approx 30 $\mu$ A in standby (15 $\mu$ A optional)

## Mechanical Data

---

<b>Housing Materials</b>	Aluminium 6061 T651 or stainless steel (303,304/316)
<b>Mounting Thread</b>	M22x1
<b>D-Type</b>	Yes
<b>Actuating Force</b>	0.25+ Newton
<b>Connection Power</b>	24 AWG 20 cm, 2 wires, red, black
<b>Connection Output</b>	24 AWG 20 cm, 2 wires, red, black
<b>Connection UART-USB</b>	24 AWG 20 cm, 3 wires
<b>Mounting Screw Torque</b>	2.5N
<b>Graphics</b>	Anodized printing or laser engraving optional
<b>Waterproof Connectors</b>	Optional

## Environmental Data

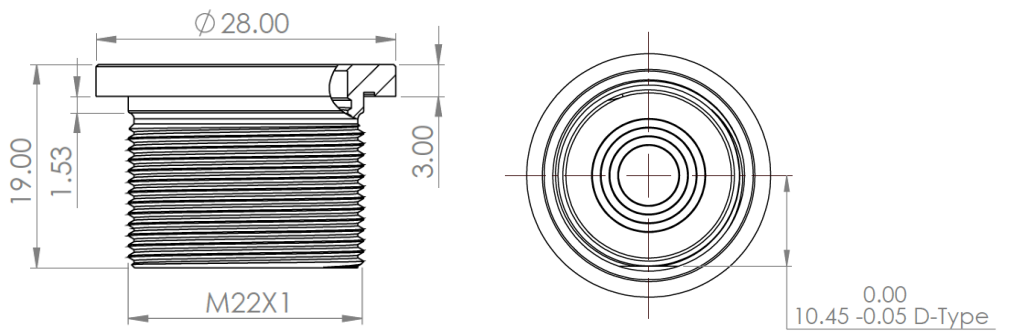
---

<b>Operating Temperature</b>	-40°C to 75°C
<b>Storage Temperature</b>	-40°C to 125°C
<b>IP Protection</b>	IP69K

# PTF-22-PDC

Programmable piezo switch 22mm, sanitary

## Dimensional Drawing



## Electrical Diagram

